

CoAP an introduction

CSD kick-off
2013

Robert Olsson KTH

History

- John Ericsson/(Wargentin) Östersund
- Linux/Kernel/fib_trie.c/pktgen.c/NAPI
- Zebra/Quagga IRDP/PIM-SM/mBGP
- Bifrost/Linux – workshops
- WSN/Contiki/Low-Power/Energy

SLU/UU/KTH...

CoAP/overview

- Internet-Of-Things (IoT) motivated
- CoAP (Constrained Application Protocol)
- IETF standard (draft-18)

Shelby/Sensinode(fi), Hartke, Bormann. U. Bremen

CoAP/overview

- Machine-to-Machine possible (M2M)
- Very small footprint, RAM, ROM
- URI (Uniform Resource Identifier)
 - User-agent/plugin for Firefox Copper (Cu), ETH
 - ETSI test (2012)

CoAP/overview

- RESTful client-server. Compare http:
- Resource Discovery
- UDP
 - Reliable unicast
 - Best effort multicast
- Proxy and Caching is simple

CoAP/message types

- Confirmable message
- Non-confirmable message
- Ack message
- Reset message
 - Piggy-backed
 - Seperate

CoAP/transport

- Default UDP but required DTLS (Datagram TLS)
- TCP SCTP is discussed

UDP Port 5683 (mandatory)

UDP Ports 61616-61631 compressed 6lowPAN

CoAP/protocol

- 4 byte header
- Options
- Payload
 - uint (unsigned integer)
 - string
 - opaque
- Endpoint
 - IP addr, UDP port

CoAP/protocol header

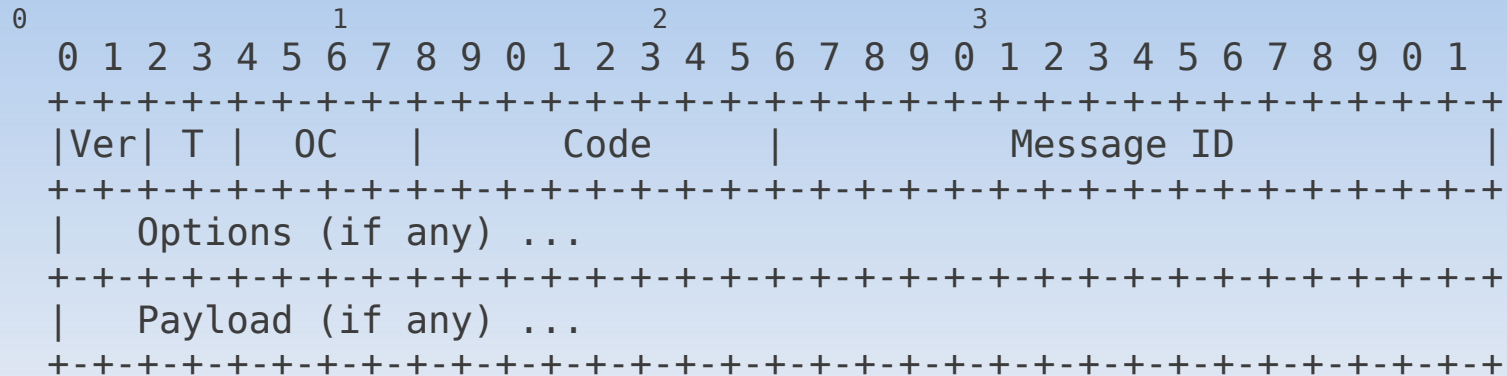


Figure 7: Message Format

3.1. Header Format

The fields in the header are defined as follows:

Version (Ver): 2-bit unsigned integer. Indicates the CoAP version number. Implementations of this specification MUST set this field to 1. Other values are reserved for future versions.

Type (T): 2-bit unsigned integer. Indicates if this message is of type Confirmable (0), Non-Confirmable (1), Acknowledgement (2) or Reset (3). See Section 4 for the semantics of these message types.

Option Count (OC): 4-bit unsigned integer. Indicates the number of options after the header (0-14). If set to 0, there are no options and the payload (if any) immediately follows the header. If set to 15, then an end-of-options marker is used to indicate the end of options and the start of the payload. The format of options is defined below.

CoAP/pkt-size

- Message size
 - Must fit in a single IP datagram
 - Default MTU 1280 bytes
 - 6LOWPAN 127 bytes
 - WSN based on IEEE 802.15.4 127 bytes

CoAP/RESTful

- CoAP Request/Response semantics
 - GET, POST, PUT, DELETE
 - Easy to map to HTTP
- Cache and Proxy possible

CoAP/URI

coap URI:

`coap://example.se:5683/~sensors./temp1.xml`

coaps URI:

`coaps://myPAN.se/bike/lock`

CoAP/Secure

- DTLS (Datagram TLS) RFC4347
- IPSEC alternative
 - Key sharing problems
 - Resource problems
 - Certificate problems
- Area for work...

CoAP/implementations

- Contiki-2.6 / Erbium
 - ETH Zurich
 - 8.5 kB ROM
 - 1.5 kB RAM
- Linux → libcoap
- TinyOs (libcoap)
- Firefox CoAP Copper Cu plugin – install an test.
- Wikipedia has an upated list. Check it!

CoAP/additional standards

- Blockwise transfers in CoAP (16-1024 bytes)
draft-ietf-core-block-12
- CoRE Link Format (GET /.well known/core)
RFC 6690
- Observing Resources in CoAP (Observe option)
draft-ietf-core-observe-09

CoAP/programming

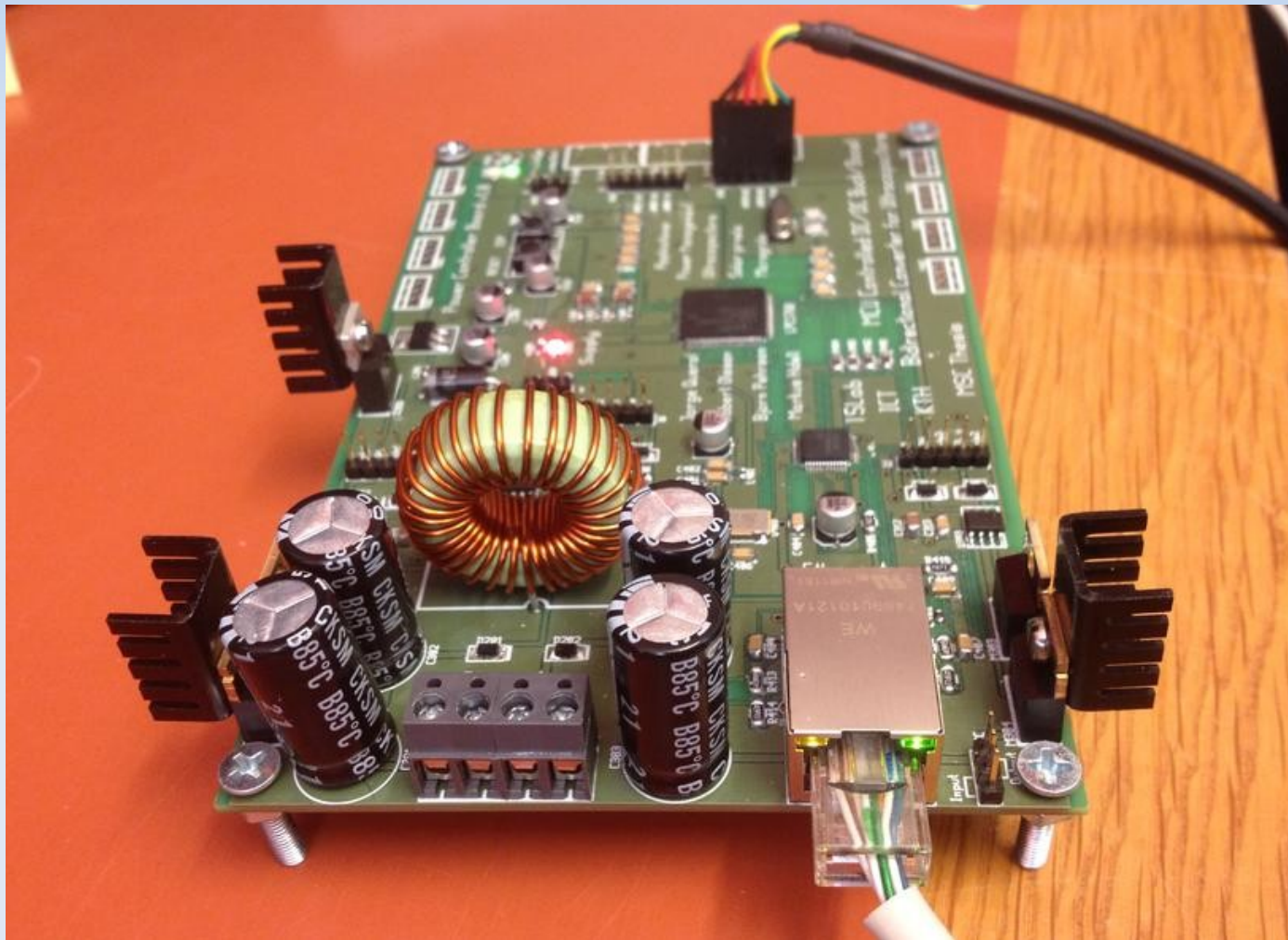
- Write plain C-code. Socket programming
- libcoap
 - Both ways needs some knowledge about CoAP protocol
- Within MCU OS'es like Contiki or TinyOs etc..

References

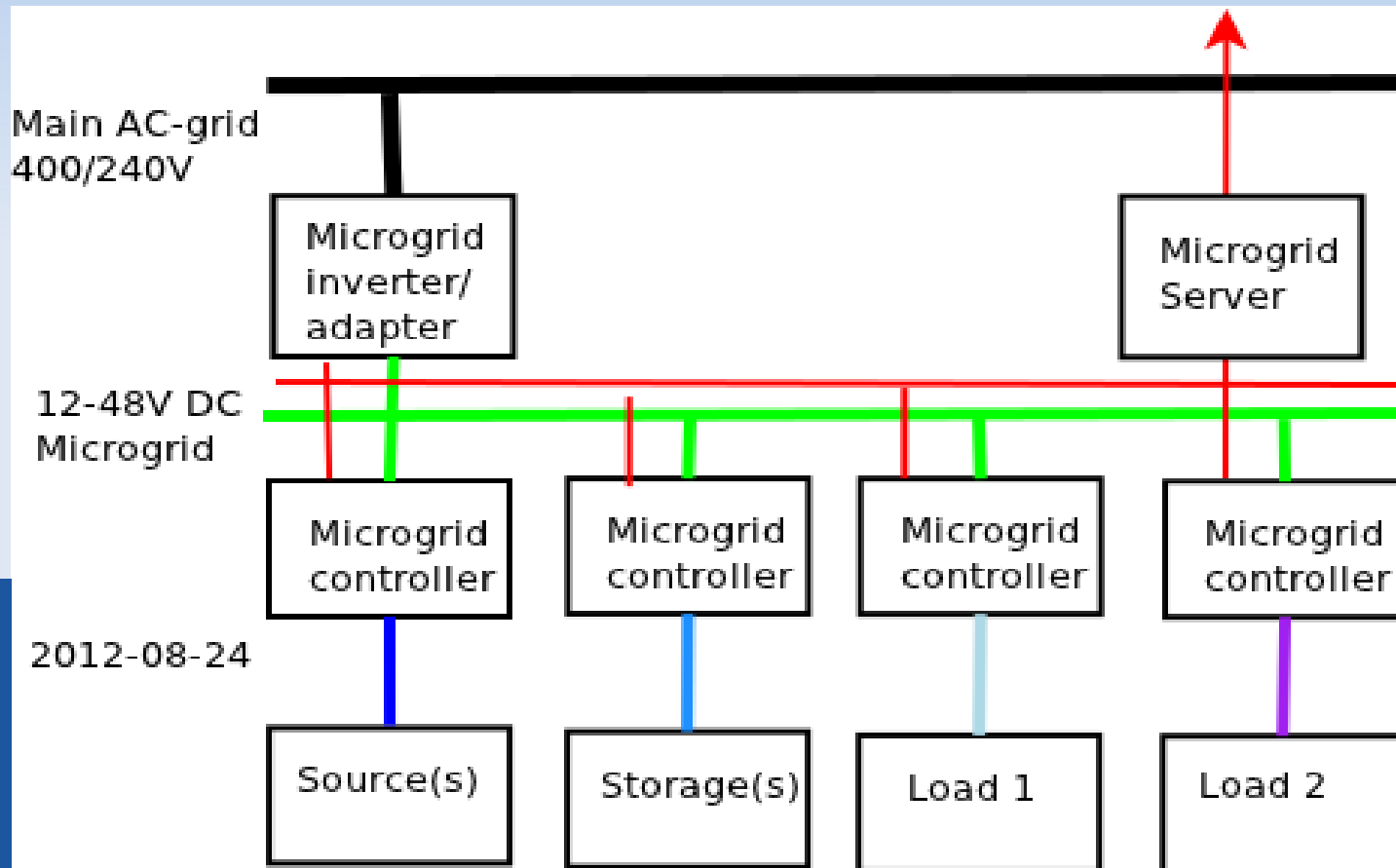
- The Contiki OS. <http://www.contiki-os.org/>
- draft-ietf-core-coap-18 <https://datatracker.ietf.org/doc/draft-ietf-core-coap/>
- draft-ietf-core-block-12 <https://datatracker.ietf.org/doc/draft-ietf-core-block/>
- draft-ietf-core-observe-09 <https://datatracker.ietf.org/doc/draft-ietf-core-observe/>
- IETF RFC 6690 Link Format
- M. Kovatsch, S. Duquennoy, and A. Dunkels, A Low-Power CoAP for Contiki in Mobile Adhoc and Sensor Systems (MASS), 2011 IEEE 8th International Conference on, 2011, pp. 855-860, DOI:10.1109/MASS.2011.100.
- 6LowPAN, Zach Shelby, Carsten Borman (2009)
- IANA: RFC Uniform Resource Identifier (URI) Schemes. [RFC4395]
- Nanoservice. Sensinode.Security Whitepaper www.sensinode.com
- R. Olsson and J. Laas, Sensd. <http://github.com/herjulf/sensd>.

IoT-grid control unit

ARM Bidir. Step-Up/down-DC-DC converter/Contiki/CoAP/Ethernet



IoT-grid/CoAP app.



22Watt/DC router/700kpps/4SFP

Low-power rugged router w. passive cooling and power options



Made in Sweden, Powered by Bifrost/Linux

Ultracapacitor Effort

Ultra-Capacitor bank with 16 caps @ 3000 Farad



Router upgrade/Serengeti



Questions

